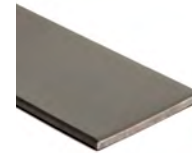


Solid Metal Astragals

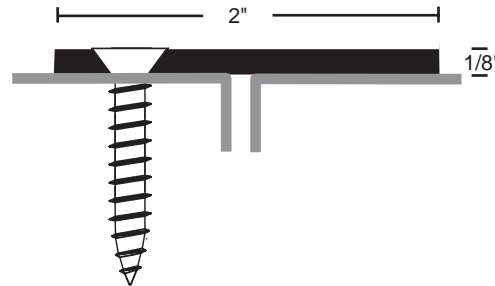
- Available lead-lined .030" thick lead, suffix "LD"
- Available with SNB, specify



139SP Steel Prime Coat
139SPDKB Steel Dark Bronze



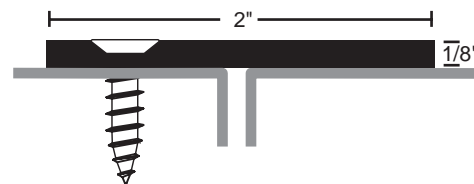
Furnished with #12 x 1-1/4" SMS. Can replace astragal required by the door manufacturer on wood or metal fire-rated doors. IBC, NFPA80, NFPA 252 require the gap at the meeting edge between fire labeled doors must not exceed 1/8". Astragal must overlap gap and inactive door minimum of 3/4".



139A Anodized Aluminum
139DKB Aluminum Dark Bronze



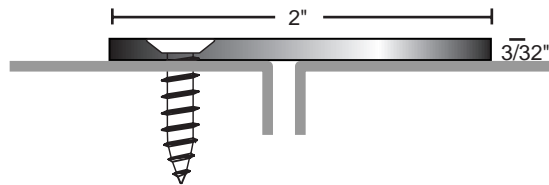
#10 x 3/4" SMS furnished



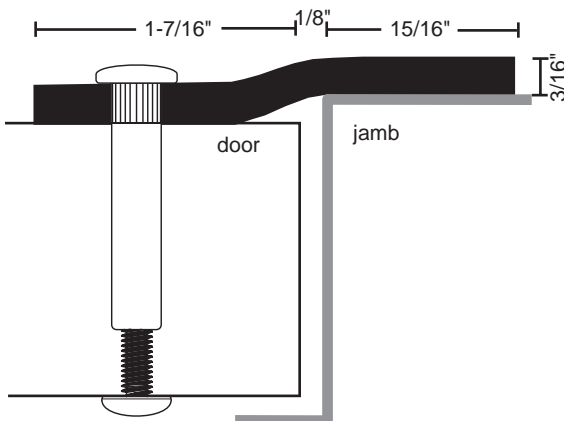
139SS Stainless Steel
type 304 brushed #4 finish (US32D, 630)



#10 x 3/4" SMS furnished



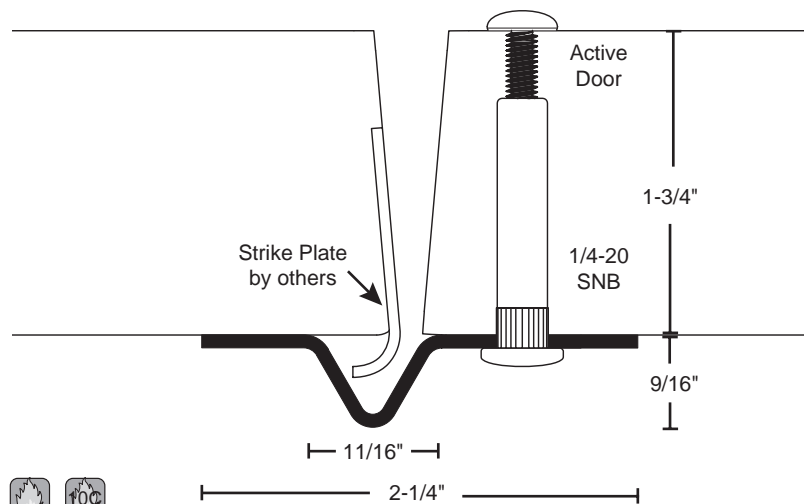
Steel Security Astragals



1392SP Steel Prime Coat



Maximum height 120"
#1/4-20 SNB's furnished.



1390SP-83-1/8" 14 Ga. Galvanneal Steel Prime Coat
1390SP-95-1/8"

No notching or field cutting needed for curved lip strikes